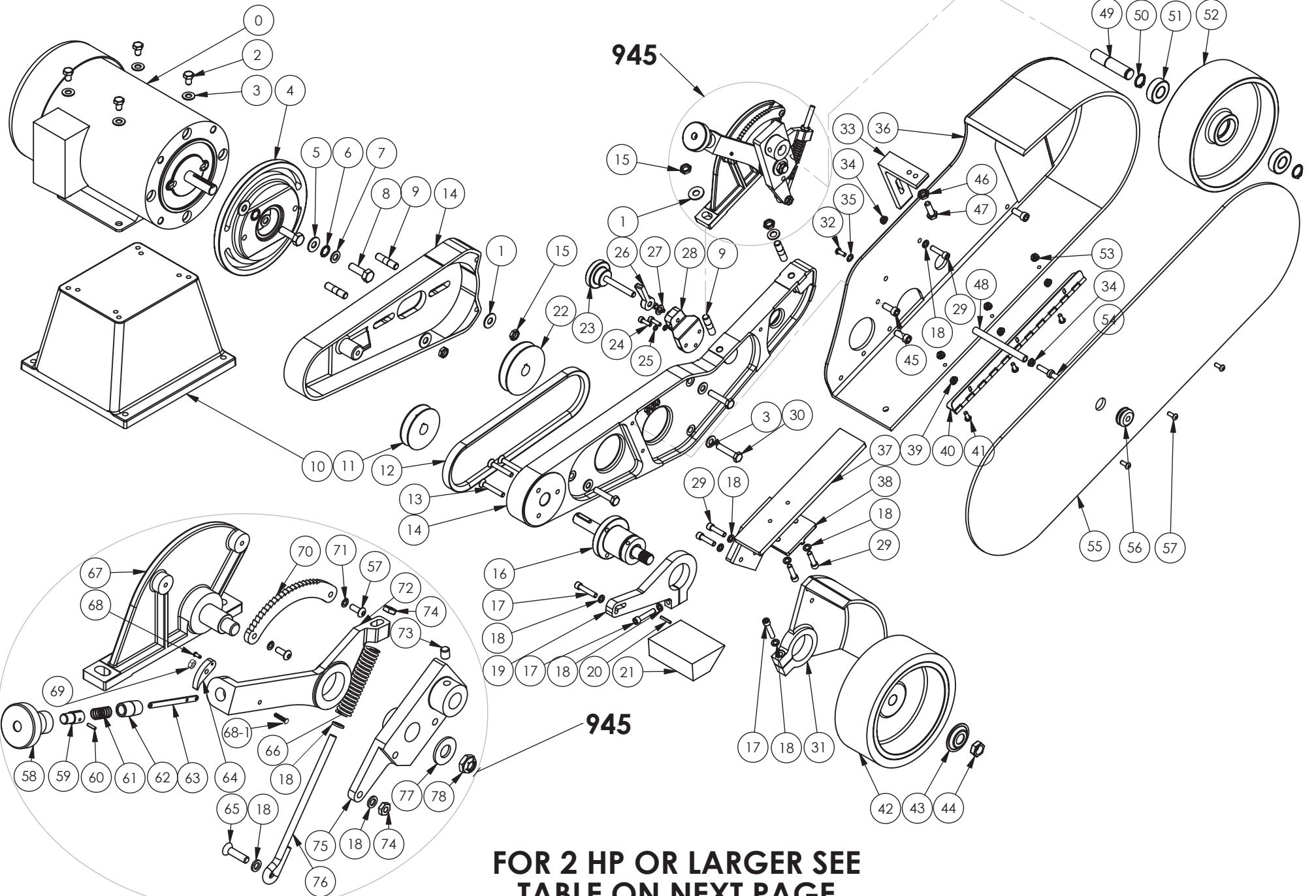


M960-250

SCHEMATIC

BURR KING

1220 TAMARA LANE
WARSAW, MO. 65355



**FOR 2 HP OR LARGER SEE
TABLE ON NEXT PAGE**

M960-250			
ITEM NO.	PART NUMBER	DESCRIPTION	QTY.
0	MOTOR	CALL FACTORY	1
1	7-0058	WASHER, 3/8"	1
2	2	BOLT, 5/16-18x1/2 HH, GRD5	4
3	4	WASHER, 5/16 SAE	7
4	908	ADAPTER, C-FACE MOTOR	1
5	40	WASHER, 3/8, SAE	5
6	5-0014	WASHER, 3/8, LOCK, INTERNAL STAR	2
7	17	WASHER, 960-616, AN	3
8	1-0003	BOLT, 3/8-16 x 1 1/4 HEX HEAD	2
9	920	STUD 3/8"x1 1/2", DOUBLE	4
10	941	BASE	1
11	725	PULLEY, 2 1/2"	1
12	429	BELT, V DRIVE	1
13	6	SCREW, 1/4-20 x 1 1/2 FH HEAD	3
14	900	FRAME/ GUARD ASSEM	1
15	39	NUT, 3/8-24, JAM, ESNA, NTE	4
16	701	BEARING, CONTACT WHEEL ASSY	1
17	31	SCREW, 1/4-20x1 1/4 SOC CAP	3
18	5	WASHER, 960-416 AN	11
19	705-1	ARM, WORKREST SUPPORT	1
20	6-0014	PIN, 1/8 X 3/4, ROLL PLTED	1
21	706-1	WORKREST, ANTI-TILT	1
22	730	PULLEY, 3"	1
23	921	KNOB, TRACKING ASSY	1
24	2-0023	SCREW, 10-24 X 5/8" SC ALLEN	3
25	5-0035	WASHER, #10, LOCK, HIGH COLLAR	3
26	922	LOCK, KNOB, TRACKING	1
27	18	WASHER, 960-516, AN	1
28	923	BRACKET, TRACKING	1
29	30	SCREW, 1/4-20x1 SOC CAP	5
30	1-0019	BOLT, 5/16-18x1 1/2, HH CS	3
31	903M	GUARD, CONTACT WHEEL	1
32	209	SCREW, 1/4-20 x 3/4 SHCS	1
33	924	SUPPORT, BACKUP	1
34	4-0013	NUT, 1/4-20, KEP	2
35	5-0032	WASHER, 1/4, LOCK, SPLIT	1
36	942A	GUARD, SAFETY	1
37	904A	PLATEN	1
38	904B	BRACKET, PLATEN	1

1 1/2 HP	CHANGES TO	2-3HP	BUSHINGS	
730		931	949 5/8"	950 7/8"
725		933	947 5/8"	
429		951 2(qty)		

M960-250			
ITEM NO.	PART NUMBER	DESCRIPTION	QTY.
39	14	NUT, 10-24, KEP	3
40	742E	HINGE, GUARD TO DOOR	1
41	24	SCREW, 6-32 x 1/2, MACH	3
42	802	CONTACT WHEEL, 7x2.5, 55 DURO	1
43	726	WASHER, SPRING FLANGE	1
44	727	NUT, 5/8-18 RH, JAM, BRT	1
45	2-0001	BOLT, 5/16-18x3/4 ALLEN CAP	3
46	4-0009	NUT, 5/16-18, JAM	1
47	1	BOLT, 5/16-18x1, HH, GRD 5	1
48	942C-2	STANDOFF, DOOR	1
49	707c	SHAFT, BEARING	1
50	701F	WHEEL, IDLER CIR-CLIP	2
51	701B	BEARING 5/8 x 1 3/8	2
52	907M	WHEEL, IDLER, 7 x 2 1/2	1
53	23	NUT, 6-32, KEP	3
54	742L	LATCH, SAFETY GUARD DOOR	1
55	942B	DOOR, GUARD, NEW STYLE	1
56	742H	GROMMET, SAFETY GUARD DOOR	1
57	9	SCREW, 10-24x1/2 BH	5
945			
ITEM NO.	PART NUMBER	DESCRIPTION	QTY.
58**	737A	KNOB, REAR TENSION ARM	1
59**	737B-1	BUTTON	1
60**	26	PIN, 3/32 x 3/8, ROLL PLTED	1
61**	737D	SPRING, BUTTON	1
62**	737E	NIPPLE, PIPE	1
63**	937BA	STRIP, BUTTON ASSEMBLY	1
64**	737F	PAWL	1
65	34	SCREW, 1/4-20 X 1, FH PHILLIPS	1
66	738	SPRING, BELT TENSION	1
67	940	SUPPORT, IDLER WHEEL	1
68**	28	SCREW, #2 x 1/4, DRIVE	1
68-1	27-1	STUD-PEM 8-32	1
69**	4-0035	NUT, 8-32 NYLOX JAM	1
70	736	RACHET	1
71	15	WASHER, #10 LOCK	2
72	937G	HANDLE	1
73	25	SCREW, 5/16-18 x 3/8, SET, SOC	1
74	3	NUT, 1/4-20 JAM, PLTD	2
75	935M	SUPPORT, REAR WHEEL	1
76	939	GUIDE, SPRING	1
77	21	WASHER, 1/2, SAE, FLAT	1
78	20	NUT, 1/2-20, JAM, ESNA, NTE	1

** MAY ORDER AS ASSEMBLY P/N 937

BURR KING

1220 TAMARA LANE
WARSAW, MO. 65355