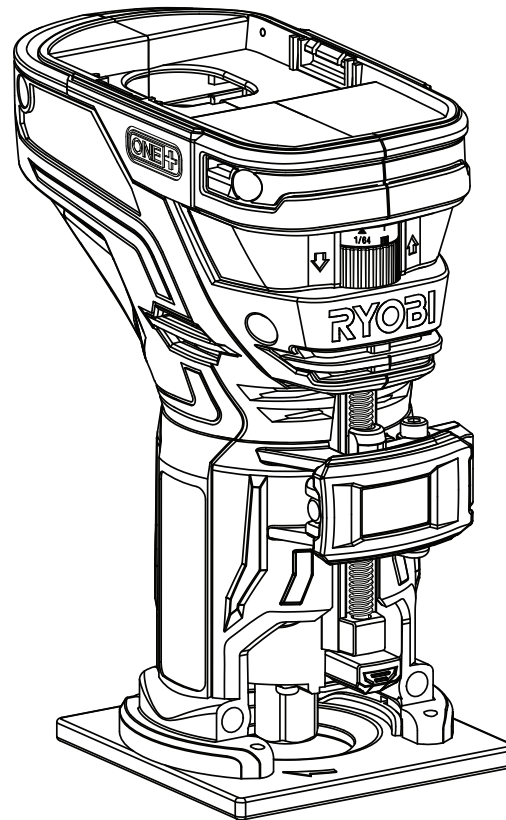


REPAIR SHEET

BRAND
RYOBI

MODEL NO.
P601

DESCRIPTION
18 Volt Palm Router

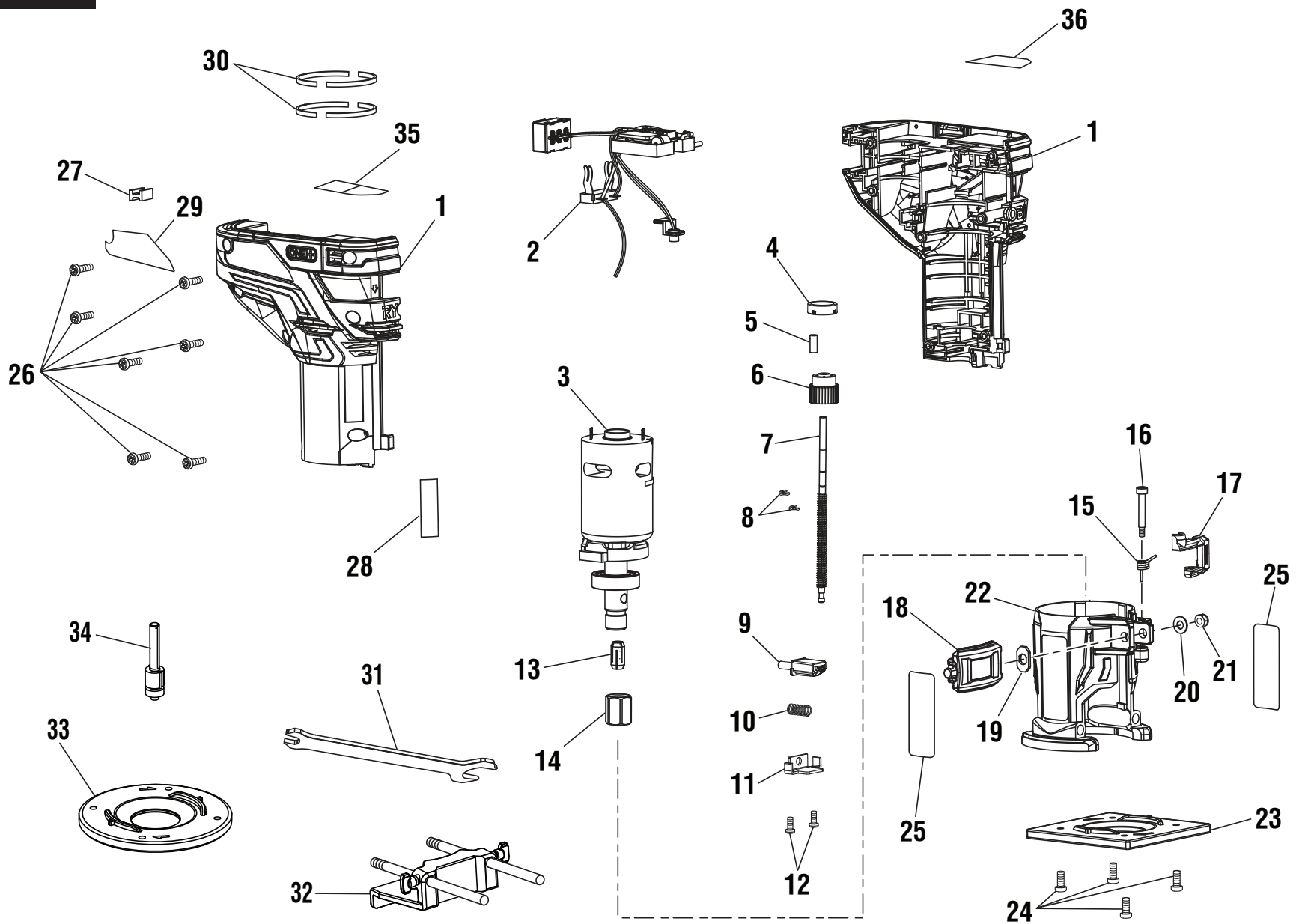


TTI CONSUMER POWER TOOLS, INC.

P.O. Box 1288, Anderson, SC 29622 ■ 1-800-525-2579 ■ www.ryobitools.com

4-5-22 (Rev:06)

The model number and manufacturing location will be found on a label attached to the product. Always mention this information in all communications regarding this product and when ordering parts.



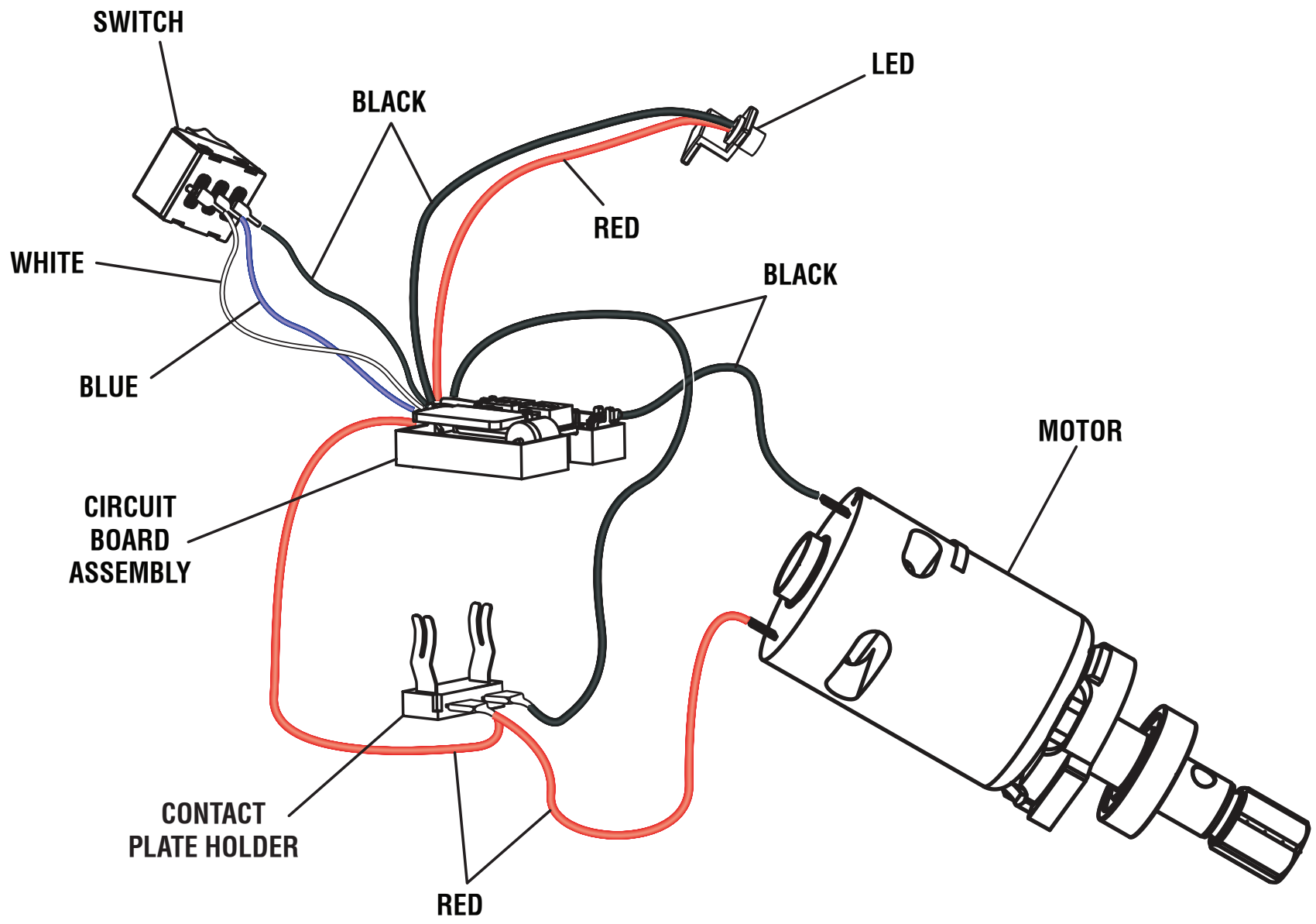


P601

PARTS LIST

KEY NO.	PART NO.	DESCRIPTION	QTY.
1-CN	204414001	Motor Housing Assembly (Inc. Key Nos. 25 & 28-29)	1
1-VN	204414002	Motor Housing Assembly (Inc. Key Nos. 25 & 28-29)	1
2-CN	206595001	Switch and Circuit Board Assembly	1
2-VN	206595002	Switch and Circuit Board Assembly	1
3-CN	206594001	Motor and Output Shaft Assembly	1
3-VN	206594003	Motor and Output Shaft Assembly	1
4	340028001	Zero Reset Ring	1
5	570334001	Rubber Plug	1
6	519238002	Micro Depth Adjustment Knob	1
7-CN	622048002	Height Adjustment Rod	1
7-VN	622048003	Height Adjustment Rod	1
8	671826001	E-Ring	2
9	317401001	Spindle Lock Button	1
10	692272002	Compression Spring (Detent)	1
11	622007002	Cover Plate	1
12	660203027	Screw (M3 x 8 mm, Pan Hd. S.T.)	2
13-CN	690045003	Collet (1/4 in.)	1
13-VN	690045003	Collet (1/4 in.)	1
14	690043007	Collet Nut	1
15	692271001	Torsion Spring	1
16	621061004	Shaft Lock Pin	1
17	613135001	Motor Release Lever	1

KEY NO.	PART NO.	DESCRIPTION	QTY.
18	204416001	Quick Release Lever and Latch Assembly	1
19	634001006	Plate	1
20	670060001	Washer (OD10 x ID5.1 x 1t)	1
21	670974003	Lock Nut (M5)	1
22	204415001	Removable Base Assembly (Inc. Key No. 25)	1
23	519234001	Subbase (Square)	1
24	6621202	Screw (M4 x 12 mm, Pan Hd.)	4
25	940304497	Logo Label	2
26	660208005	Screw (M4 x 16 mm, Pan Hd.)	7
27	531979002	LED Plug	1
28	941001386	Depth Scale Label	1
29-CN	941121770	Data Label	1
29-VN	941122803	Data Label	1
30	560055013	Foam Rubber	4
31	690604002	Wrench	1
32	204358001	Optional Edge Guide Assembly	1
33	519233001	Optional Subbase (Round)	1
34	671277007	Optional Flush Cutting Bit w/Bearing	1
35	941120275	Warning Label (ENG)	1
36	941120276	Warning Label (FR/SP)	1
	Not Shown:		
	991000958	Operator's Manual (961153322)	



WIRING DIAGRAM