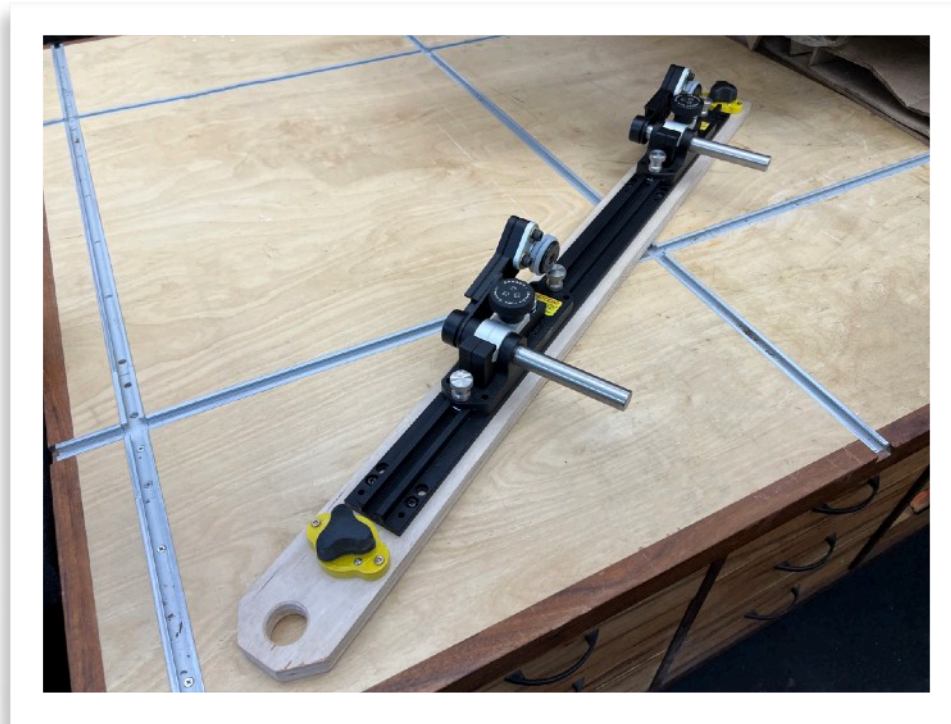




Jessem Stock Guide Jig



Introduction

Make sure to save this file after downloading it from our website. Your download link will only be valid for 24 hours after purchase.

Make sure to read through this build guide **BEFORE** cutting any wood. Familiarize yourself with the tools, techniques, and your approach to building this project. Also, you can follow me as I build this project by watching on my YouTube channel. You can find the accompanying video here:

<https://www.youtube.com/watch?v=Je3vhlq3jgw>

If you have any questions, please reach out:

- YouTube Channel: <https://www.youtube.com/731woodworks>
- Instagram: @731woodworks
- Email: 731woodworks@gmail.com
- The 731 Woodworking Community:
<https://www.facebook.com/groups/731woodworks>

++++ By Downloading these plans you are acknowledging that you claim all responsibility for any injuries, actions or damage that may occur when building or using this project. 731 Woodworks, sponsors or any employees thereof are not held liable++++

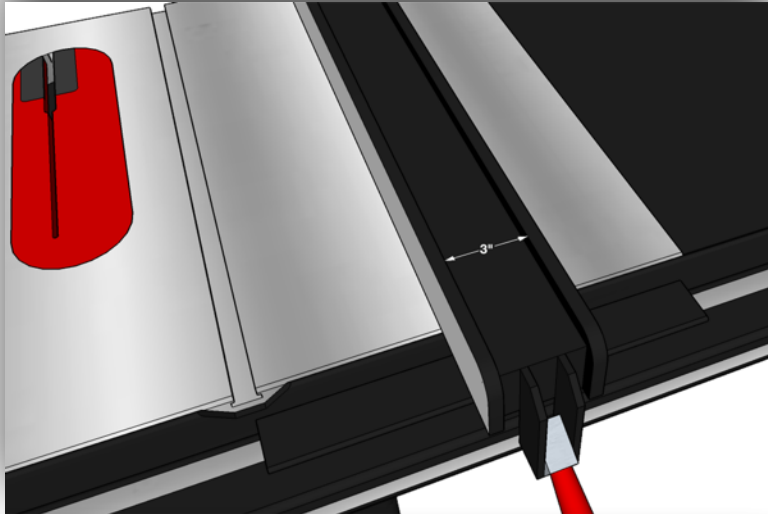
Materials & Supplies

Quantity	Item	Notes
1	3/4" Plywood	Only need a small piece about 37" x 3"
1	Jessem Stock Guide	https://jessem.com/products/clear-cut-ts-stock-guides
2	150# Mag Switch	https://magswitch.com/product/magjig150/

Cut list

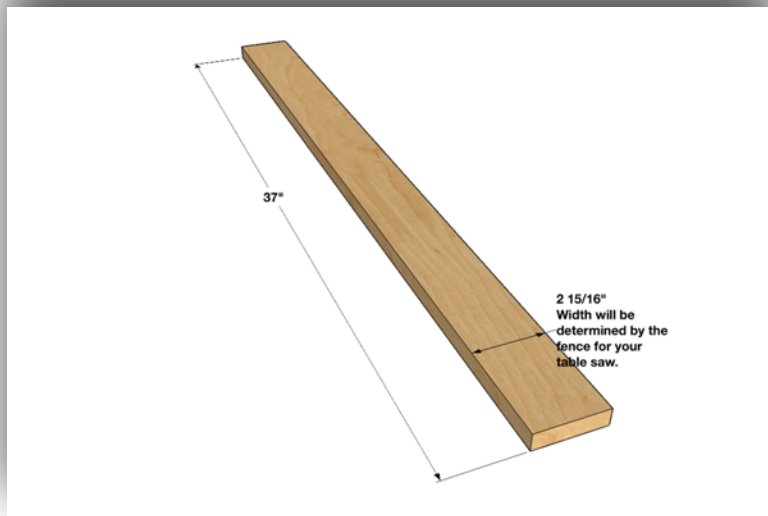
Item	Quantity	Sizes needed	Material
Base	1	37" x 2 15/16"	Plywood

Base



Measure the width of your table saw fence. For my table saw, the measurement is 3". All table saws will be different.

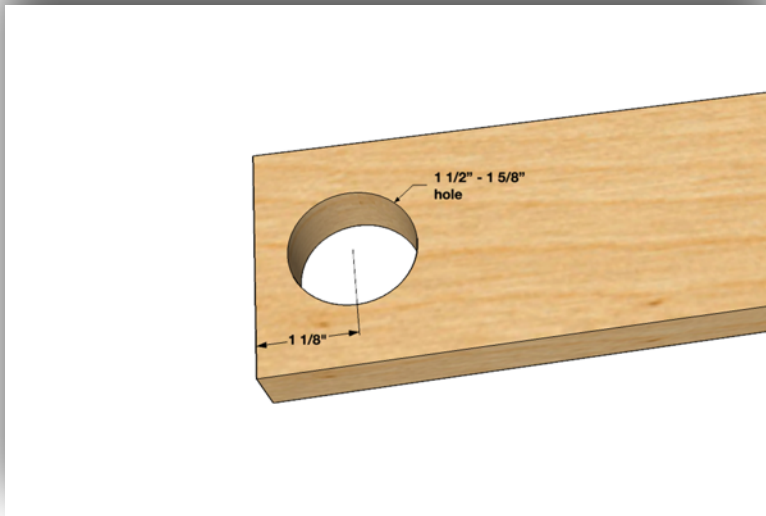
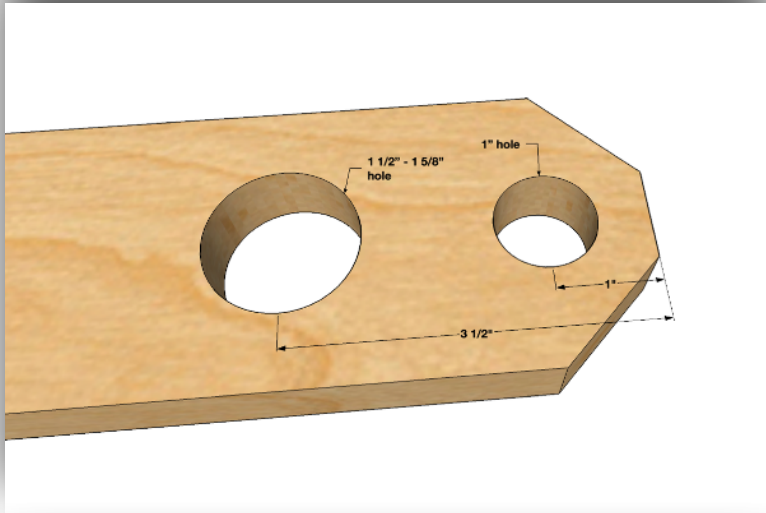
Once you have that measurement subtract $\frac{1}{16}$ ". That made my measurement to be $2 \frac{15}{16}$ ".



Cut a piece of plywood that is about 37" long, and as wide as the adjusted measurement you took in the previous step. In my case that was $2 \frac{15}{16}$ ".

Check for good fit to your table saw fence before proceeding to the next step. Trim the Base as needed.

Mag Switches



Drill a 1" hole about 1" from one end of the Base. This will give you a way to hang the jig up when you are not using it.

On the same end of the Base, Drill a 1 1/2" to 1 5/8" inch hole, 3 1/2" from the end of the Base. This will be the mounting point for one of the Mag Switches.

Lop the corners off of this end of the Base as shown.

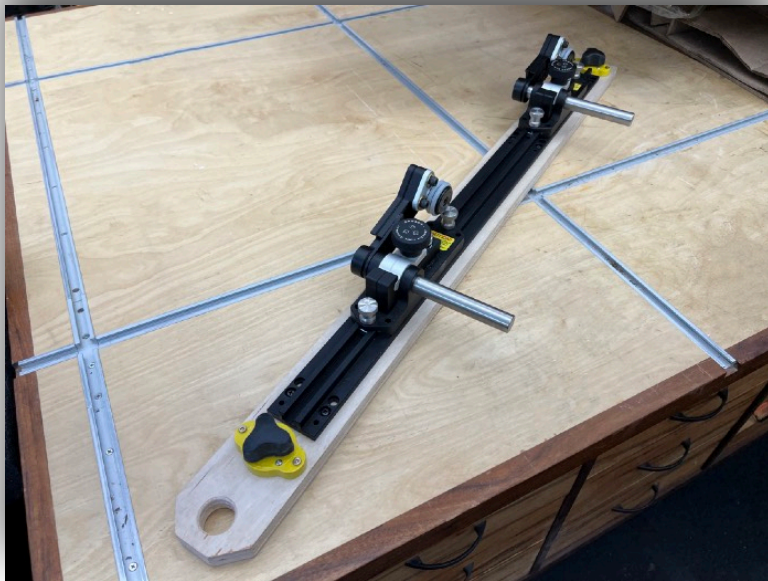
On the opposite end of the Base, Drill a 1 1/2" to 1 5/8" inch hole, 1 1/8" from the edge. This will be the mounting point for the second Mag Switch.

The spacing of the Mag Switches needs to be more than 30" apart.

Mount Mag Switches and Jessem Guide



Mount the Mag Switches with the magnet end centered in the holes you made in the last step.



Mount the Jessem Stock Guide centered on the Base and between the Mag Switches as shown.

Finished!

And with that, you are finished! Here are a few pictures on mine on my table saw.
Great job, and here's a Virtual Fist Bump!



VIRTUAL FIST BUMP



These plans were created for 731 Woodworks by:



[Instagram](#)



[Facebook](#)

plans@h2woodshop.com