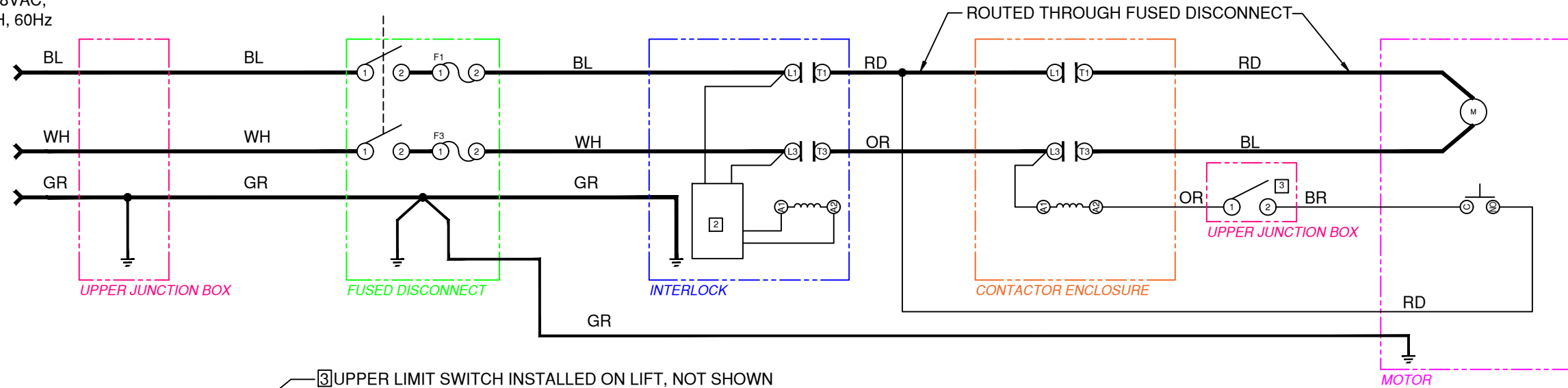


NOTES: UNLESS OTHERWISE SPECIFIED

REVISIONS			
LTR	DESCRIPTION	DATE	APPROVED
A	FORMAL RELEASE		

- 1 ALL WIRE IS 10AWG THHN
- 2 DETAILS OF INTERLOCK ARE OMITTED
- 3 UPPER LIMIT SWITCH IS CONNECTED TO JUNCTION BOX VIA 10/3 SO CORD, NOT SHOWN

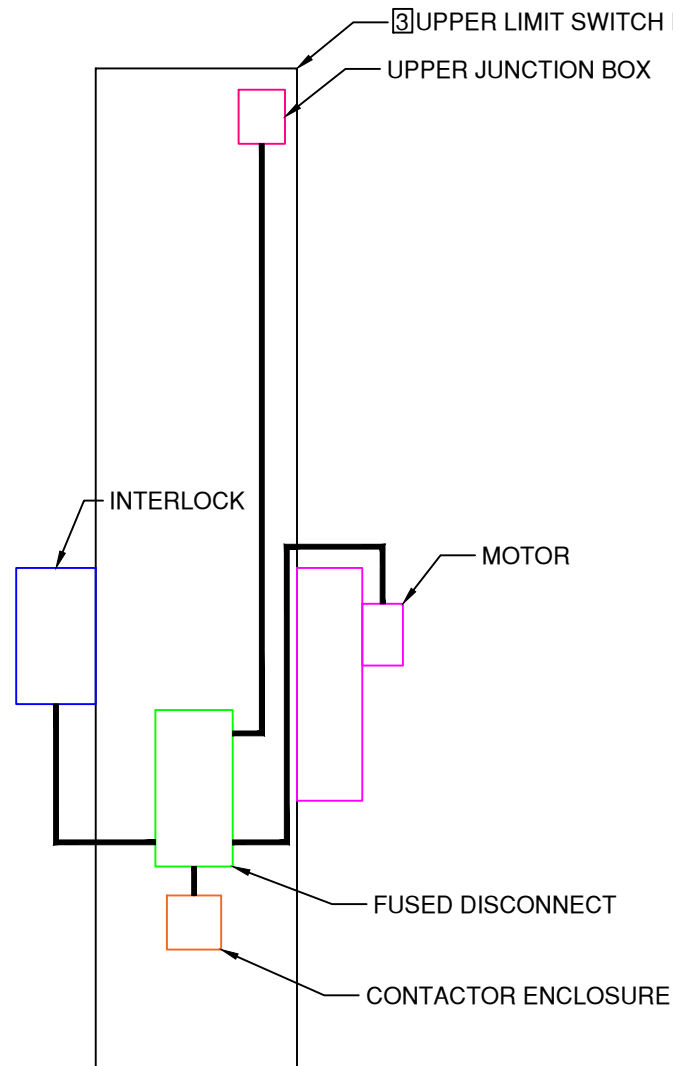
INPUT
208VAC,
1PH, 60Hz



3 UPPER LIMIT SWITCH INSTALLED ON LIFT, NOT SHOWN
UPPER JUNCTION BOX

COLOR LEGEND

- BK - BLACK
- RD - RED
- WH - WHITE
- GR - GREEN
- OR - ORANGE
- BR - BROWN



<p>UNLESS OTHERWISE SPECIFIED</p> <p>TOLERANCES: ANGLES ±1° FRACTIONS ±1/16 1 PLACE DECIMAL ±.1 2 PLACE DECIMALS ±.02 3 PLACE DECIMALS ±.010</p> <p>REMOVE BURRS & SHARP EDGES MINIMUM BEND RADI & RELIEFS</p> <p>DIMENSIONS ARE IN INCHES AND INCLUDE APPLIED FINISH</p> <p>INTERPRET DRAWING IN ACCORDANCE WITH ASME Y14.100M</p>	MATERIAL			TITLE	AUTO LIFT 2 POST		
	FINISH	SIGNATURE	DATE		SIZE	DWG NO.	REV
		N/A	DR	MICHAELB	9/9/25		
		N/A	CHK				
		ENGR					
		APVD					
		SCALE	NONE		SHEET	1 OF 1	